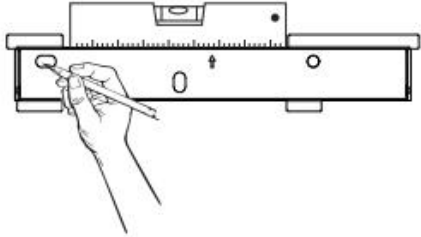
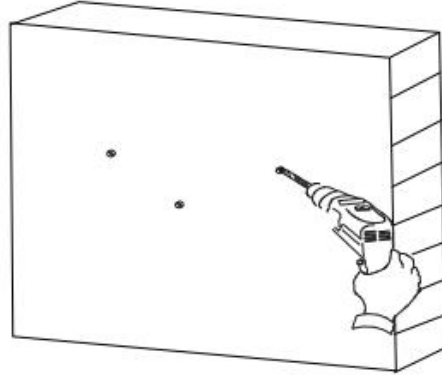


Three-Phase Residential ESS Installation Guide



Set bracket horizontally.
Mark the holes position
on the wall.

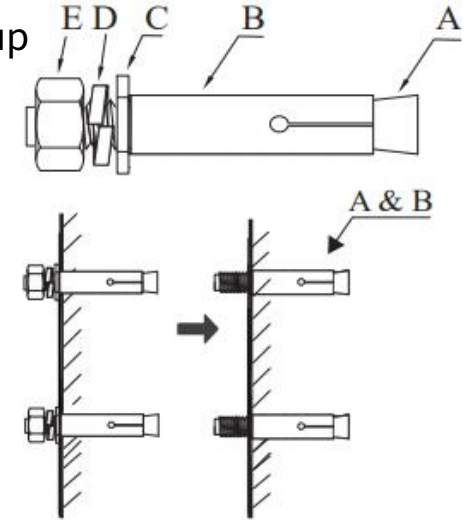
a



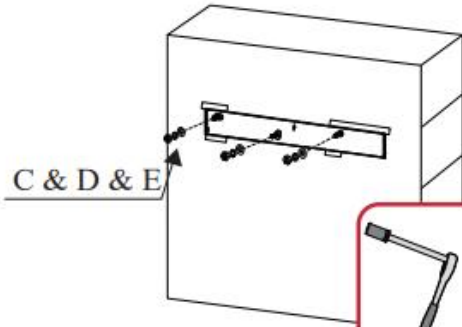
Φ : 16mm; Depth: 55mm
Drill the holes.

b

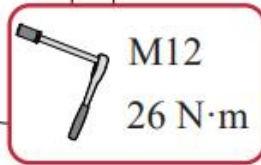
Expansion screw group
(M12; 3 suites)



c



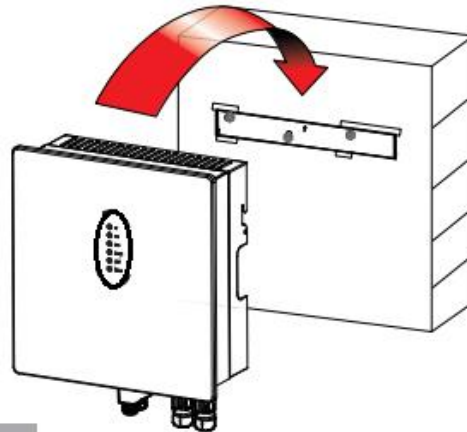
C & D & E



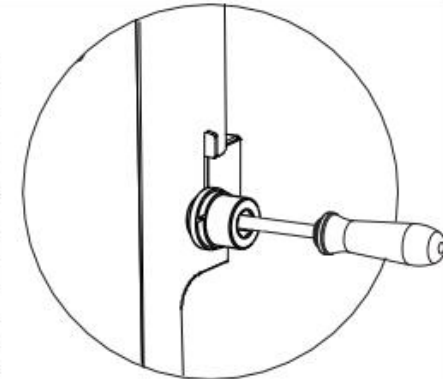
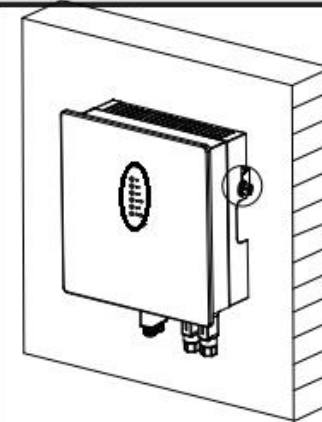
M12
26 N·m

3 x M12 Expansion screw

d



e

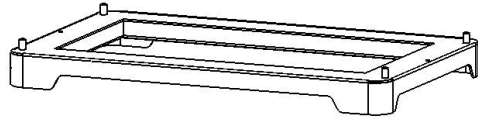


M6 Security screw, 2.5N·m

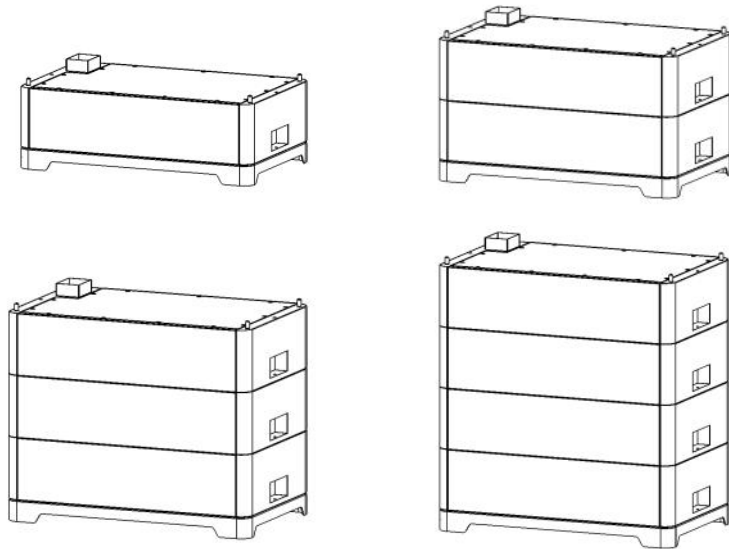
f

Battery Installation Guide

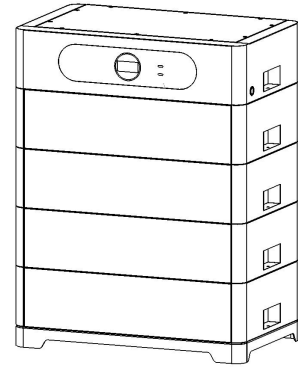
1. Put the battery base on the ground.



2. Stack the batteries on top of each other on the base, Plug it into the connector between the batteries (There is no sequence requirement for batteries)



3. Connect the high voltage box to the top battery.



4. Connect the battery cable to the BMS communication cable between the battery and the inverter

